



*B*oilers



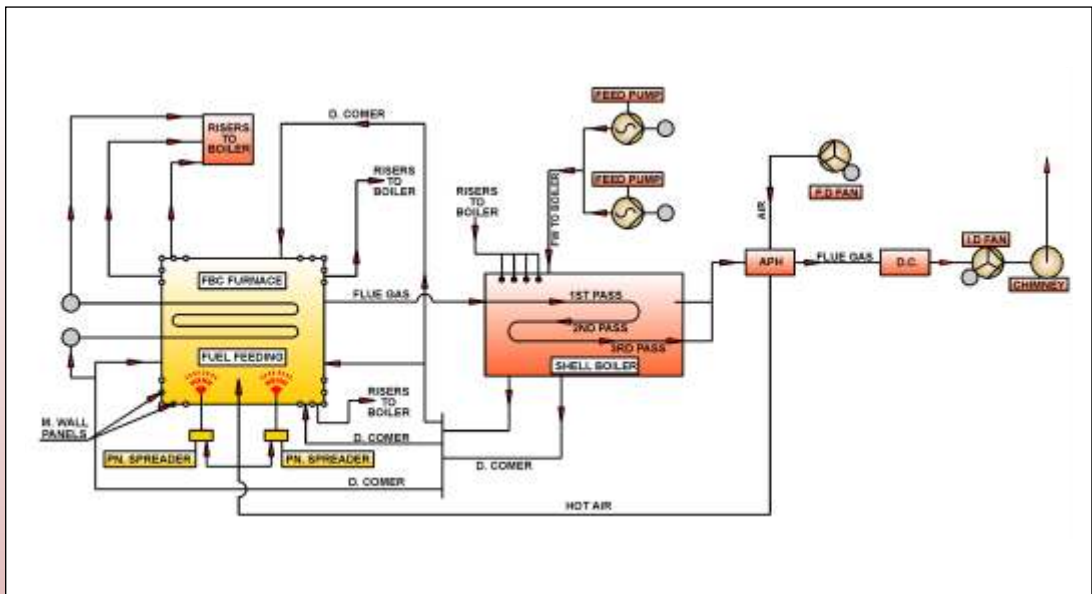
www.raj-boilers.com

Boilers

Boilers



Raj boilers are well known in the industry for its safe, efficient and simple operation and sturdy construction. We manufacture IBR/Non-IBR boilers in wide range.



Captive Plant High Capacity Boilers

*A*t RAJ, we offer Single drum/Bi-Drum design boilers. With membrane wall construction, horizontal drain able type super heater/ vertical coil type super heater convective type. These boilers are capable of firing LDO, FO, HSD, LSHS, Natural gas, LPG etc.

The travelling grate type boilers and fluidized bed technology are offered for solid fuels with high ash content like Indian Coal, agro waste and biomass fuels. Dumping grate boilers are offered for low ash content fuels like Bagasse, Rice Husk etc.

Features:

- ¡Fully automatic DCS operated drum level and Combustion Control System Leading to minimum operating staff.
- ¡Fast responding to load variations
- ¡Top supported boiler with expansion allowed at the bottom and hence very

effectively sealed boilers with minimum refractory. Hence low maintenance of refractory

¡Pneumatic spreading/ Mechanical spreading of fuel on the firing equipment which ensures effective burning of fuel.

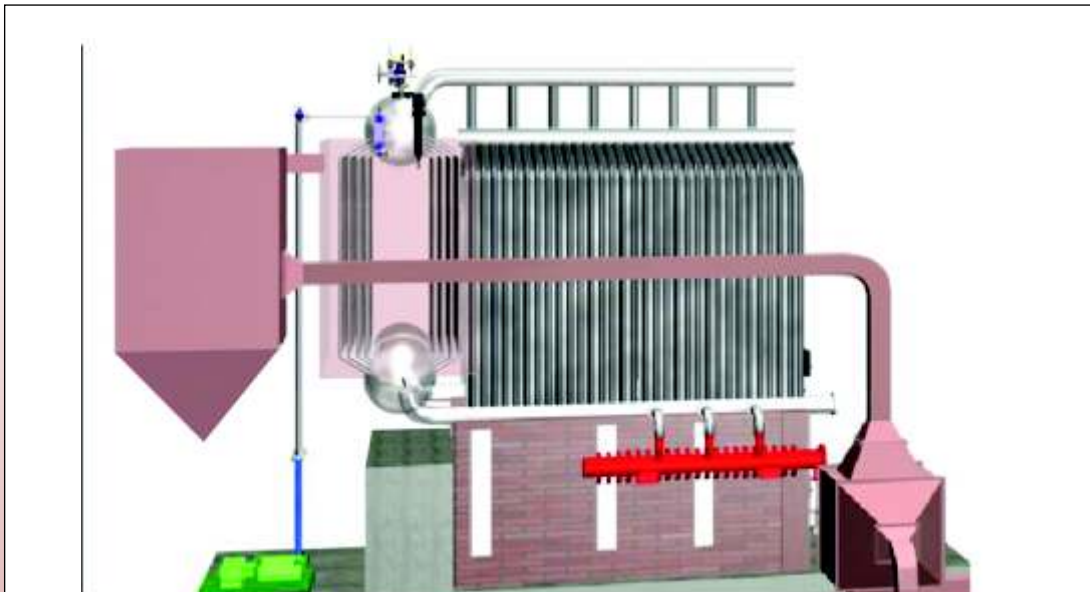
¡Provided with primary and secondary air to ensure proper turbulence in furnace and allow suspension burning of fuel due to proper air-fuel mixing. The range is as below

Capacity : Up to 150 TPH

Pressure : Up to 105 kg/cm² (g)

Temperature : up to 540 deg C

Fuels : Coal, Bagasse, Rice Husk, Ground nut shells, Coconut Shells, Cotton Waste, Palm Shell etc. LDO, FO, LSHS, Natural Gas, LPG Bio Gas etc.



Boilers

Multi Fuel Package Boilers with Integral Furnace

Multi Fuel Package Boiler with Integral Furnace

At RAJ, We manufacture package boiler with smoke tubes, three pass, wet back design boilers. The capacity range is as below

Capacity

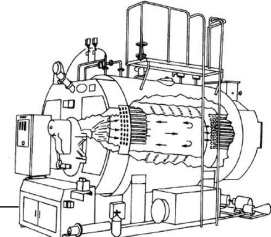
1.0 TPH to 15 TPH

Steam Pressure

10.5 kg/cm² (g) to 17.5 kg/cm² (g)

Fuel Fired

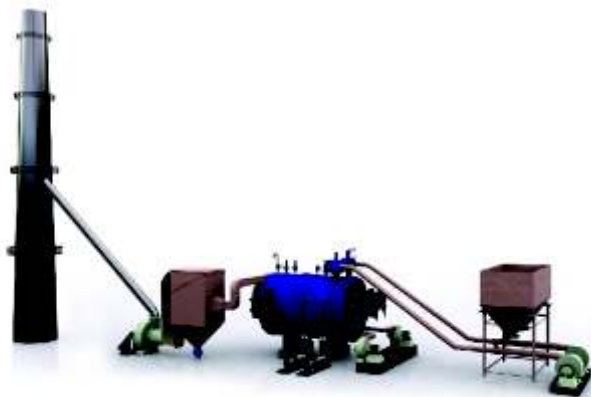
Capable of firing LDO, HSD, FO, LSHS, Natural Gas, LPG, Biogas etc.



Husk Fired Boiler

Features :

- Sturdy Construction.
- Almost Zero Refractory boilers.
- Easy access for maintenance and tube cleaning.
- High efficient boilers are provided with Imported Burners complete with intelligent burner management systems are offered for liquid and gas fuel firing.
- High Efficient boilers are provided with economizer/Air pre-heater
- Manual/ Automatic Fuel Feeding system provided as per requirement
- Furnace is provided with primary and secondary air to create turbulence and ensure complete combustion of fuel in furnace.
- Zero leakage of flue gases due to membrane wall construction
- Proper provision for expansion thereby avoiding undue stresses in boiler.



Multi Fuel Package Boilers with External Furnace

*A*t RAJ, we manufacture multi fuel package boilers with external furnace made of four sided membrane wall construction suitable for firing Agro Waste/ Bio Mass. The furnace is attached with shell type fire tube boiler with three pass wet back arrangement to cool gases and generate steam. The capacity range is as below

Capacity

5 TPH to 25 TPH

Pressure

10.5 kg/cm² (g) to 17.5 kg/cm² (g)

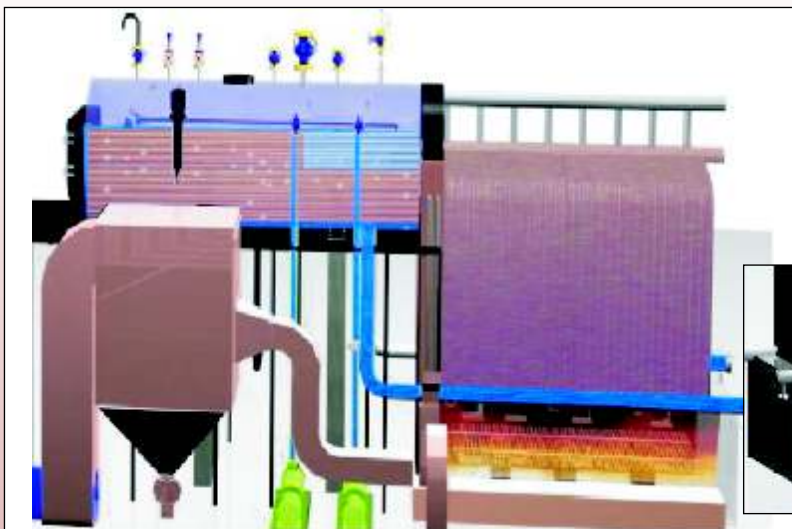
Steam Temperature

Dry and saturated steam at required working pressure can be provided.

Super heated steam can also be provided by using super heater to achieve super heated temperature at required working pressure.

Fuel Fired

Agro Waste/ Bio Mass like wood chips, Bagasse, Saw Dust, Coconut Shells, Ground Nut Shells, Rice husk, Coffee Husk, Palm Shell, Cotton Waste etc.



Boilers

Oil Fired Boilers / Waste Heat Recovery Boilers

*A*t RAJ, we cover various types of waste heat recovery boilers to handle waste gases from oil and gas, minerals, ferrous metals, Non- Ferrous metals, Glass, cement etc. All these boilers are custom made and capable of giving steam and power.

RAJ offers, boilers for blast furnace gas, lean gas, Fired Boilers for steel industry. These boilers can be package type or field erected as per the customer requirement. The boiler can be single drum/ bi drum boiler. The range is as below

Capacity : 100TPH

Pressure : Up to 100 kg/cm² (g)

Temperature : Up to 520 deg C

Fuels : Blast Furnace Gas, Coke Oven Gas, LD gas and other lean gases.



Thermic Fluid Heater & Hot Water Boiler

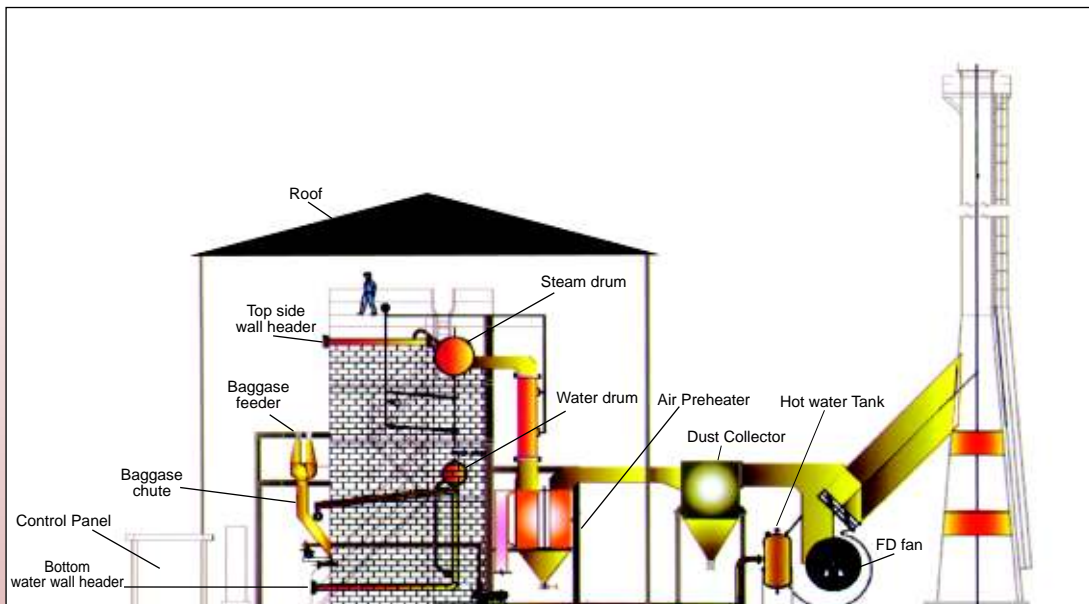
*A*t RAJ, we also offer thermic fluid heaters and hot water boilers required for various process heat transfers. We cover wide range of heat output ranging from 0.1 Million KCal/Hr to 6.0 Million KCal/Hr



Turnkey Co-Generation Power Plant

*W*e at Raj undertake turnkey co-generation power plants up to 30MW Capacity.

Our experienced engineers provide innovative and cost effective solutions on basic and detailed engineering for steam, combustion, and combined cycle facilities. Engineering, Procurement and Construction services combined as a single point responsibility for highest quality.



Head Office

- Jai Ganesh Vision, 'B' Wing, 3rd Floor,
Jai Ganesh Fame Building, Akurdi, Pune - 411035, India
Tel: +91-20-40710010
Telefax: +91-20-40710009
Email: sales@rajprocessequipment.com
Website: www.rajprocessequipment.com

Regional Offices

- Hyderabad
Cell.- +91-9550151122.
- C-24 Barcelona Business Hub,
Odhav Circle, S P Ring Road, Odhav, Ahmedabad- 382 415
Cell. - +91-7600022352
- Unit No. FF-47, 1st Floor, Omaxe Square,
Jasola District Centre, Behind Jasola Apolo Hospital,
New Delhi - 110 044; Tel. +91-11-40503519
- Second Floor, No: 6/9, HariKrishna colony,
Nandambakkam, Chennai-600 089.
Cell:+91-8220058290

Marketing Representative- International

- Bio-Tropic Industries Sdn. Bhd.
19 -1 A , 1st Floor , Block 6 , Jalan Pahat H / 15 H,
Seksyen 15 , 40200 Shah Alam,
Selangor Darul Ehsan , Malaysia
Tel.- +6 03 5523 2219 , Fax - +6 03 5523 9995
Contact Person - Mr. Ganesan , Cell.- +60355239995
E-mail - sales@bio-tropic.com,ganesan@bio-tropic.com
- PT. Keiso Process & Enviro Industries
JI-Tarum Barat II Blok Kav, Pl.No.30, Cikarang Baru,
Cikarang, Bekasi - Indonesia
Tel. - +62-21-29083225, +62-21-92755156
Contact Person - Mr. Irawan
- Mykhaylo Siyatsky
Apt 3, Tsupov Block Bld 18, Lugansk, Ukraine-91002
Tel. - +380501435566
Email - michaelsiyatsky@gmail.com
- OOO Castola Moscow,
Suchevskaya Street 19, Block 4
Tel - 8 (495) 787-95-32, 787-62-27, Cell. - 8 (903) 960-10-15
Contact Person - Mr. Nikolay Kurilovich
Email - cast2305@mail.ru
- FC GIDA VE MAKINA VE DIS TICARET ANONIM SIRKETI
Istanbul dunya ticaret merkezi,
B2 Blok, kat 6, No 227, Istanbul, Turkey
Tel. 0090 212 560 4625
- Simra Intl. Fze.
PO Box 46798, Dubai - UAE,
Contact Person - Mr. Saleem Shaikh
Cell. - +971 50 5586727
Email - simra_intl_fze@yahoo.com

Manufacturing

- Unit-I, Plot No. 166 & 167, Sector No. 7,
PCNTDA Bhosari, Pune - 411 026 (India)
Tel. - +91-20-27119973, 27124145
- Unit-II, Sr. No. 373, Village Kharabwadi,
Chakan, Tal. Khed, Dist. Pune (India)
Tel. - +91-2135-252251, 255654
- Unit-III, Plot No. I-14, SEZ,
Village - Nimgaon, Tal. - Khed, Dist Pune - 410505 (India)
- Unit - IV Gat No. 530, A/p Ahire,
Tal - Khandala, Dist - Satara - 412802
Tel. - 020-40710010

OUR PRODUCT RANGE

TURNKEY
PROJECTS

DRYERS

EVAPORATORS

MIXERS

BOILERS

ELECTRICAL
&
AUTOMATION

PROCESS
EQUIPMENTS



RAJ PROCESS EQUIPMENTS AND SYSTEMS PVT. LTD.

